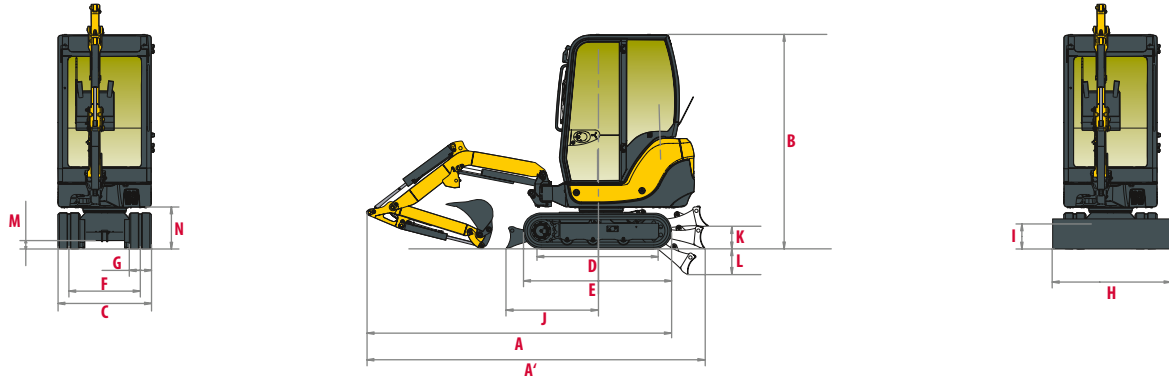
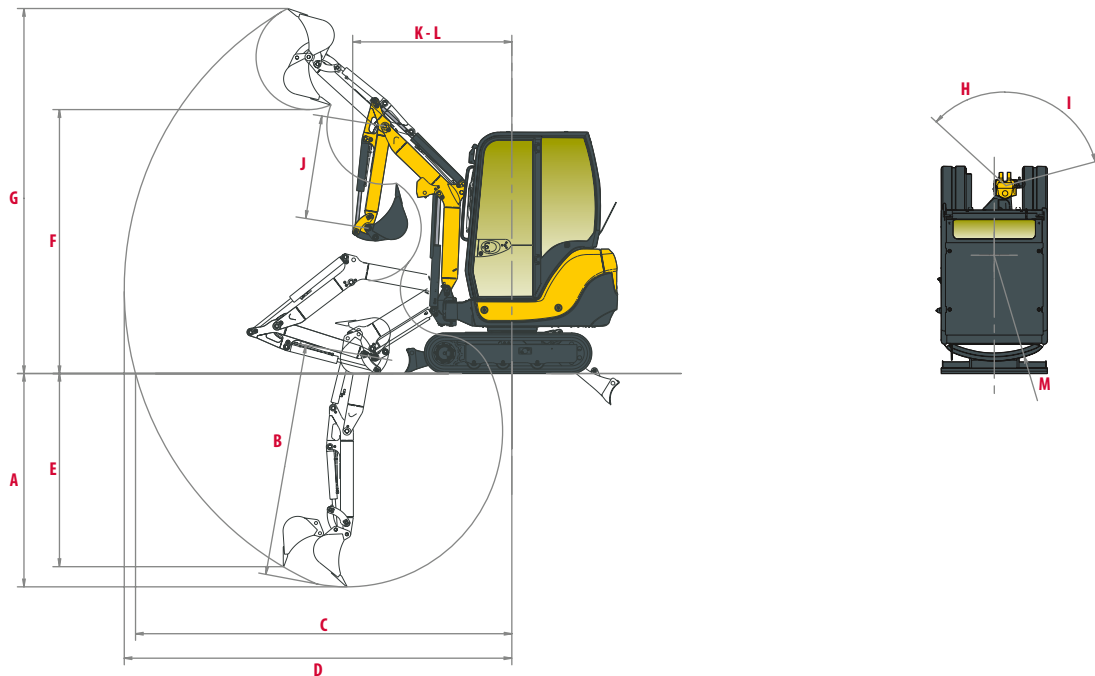


DIMENSIONS



A Overall length	3660 mm	H Overall blade width	980 - 1320 ** mm
A' Overall length with blade at the back	3775 mm	I Overall blade height	230 mm
B Overall height	2215 - 2280 * mm	J Blade distance	1095 mm
C Overall width	980 - 1320 ** mm	K Max. lifting height above the ground	240 mm
D Length of track on ground	1180 mm	L Max. lowering depth from the ground	300 mm
E Undercarriage length	1560 mm	M Minimum ground clearance	160 mm
F Lane	750 - 1090 ** mm	N Ground clearance under counterweight	410 mm
G Track width	230 mm		



A Max. digging depth - Blade lifted	2420 mm	H Boom swinging base to left	40°
B Max. digging depth - Blade lowered	2580 mm	I Boom swinging base to right	80°
C Max. digging reach on ground	3950 mm	J Arm length	1160 mm
D Max. digging reach	4040 mm	K Minimum front swing radius	1540 mm
E Max vertical wall	2140 mm	L Minimum front swing radius with boom swing	1340 mm
F Max. unloading height	2740 mm	M Rear swing radius	980 mm
G Max. cutting height	3760 mm		

* Canopy - Cabin / ** Undercarriage closed - Undercarriage opened
Subject to technical modifications. Dimensions in mm with specific Yanmar bucket.